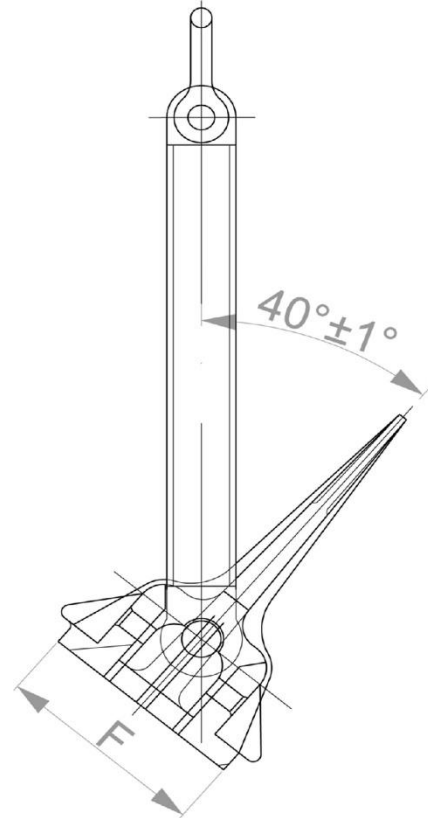
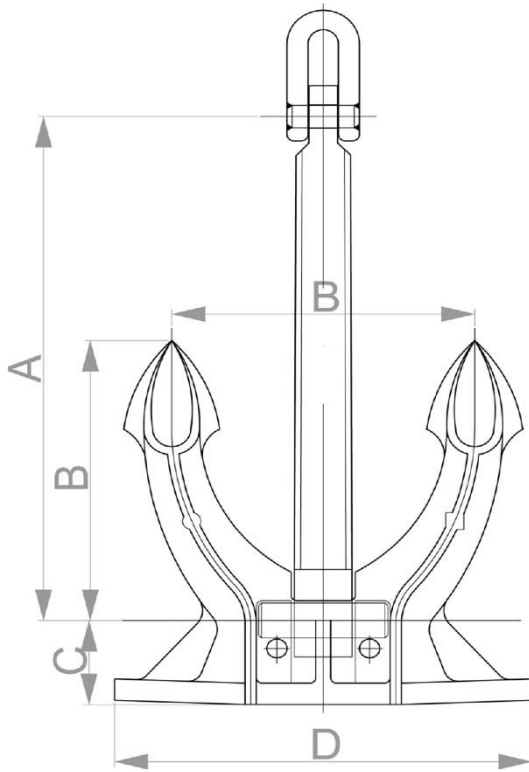


(CJ-05)SPEK Anchor



Nominal Weight(Kg)	A(mm)	B(mm)	C(mm)	D(mm)	F(mm)
100	672	373	112	515	250
150	770	428	128	590	290
180	846	470	140	640	300
240	900	500	150	690	358
300	990	550	166	760	398
360	1,065	600	180	828	411
420	1,080	600	180	828	431
500	1,170	650	196	900	450
570	1,170	650	196	900	475
660	1,260	700	210	962	486
780	1,355	750	225	1,032	519
900	1,440	800	240	1,100	547
1,020	1,530	850	252	1,170	573
1,140	1,620	900	268	1,240	591
1,290	1,710	900	268	1,240	620
1,440	1,710	950	279	1,300	640
1,590	1,710	950	279	1,300	671
1,740	1,800	1,000	300	1,378	689
1,920	1,850	1,050	312	1,454	704
2,100	1,890	1,050	312	1,454	717

Nominal Weight(Kg)	A(mm)	B(mm)	C(mm)	D(mm)	F(mm)
2,280	2,010	1,050	312	1,454	736
2,460	2,010	1,100	324	1,514	764
2,640	2,070	1,150	352	1,584	794
2,850	2,070	1,150	352	1,584	804
3,060	2,155	1,200	360	1,650	820
3,300	2,160	1,200	360	1,650	834
3,540	2,350	1,200	360	1,650	834
3,780	2,430	1,350	393	1,850	880
4,050	2,430	1,350	393	1,850	917
4,320	2,520	1,400	413	1,926	917
4,590	2,520	1,400	413	1,926	951
4,890	2,520	1,400	413	1,926	954
5,250	2,610	1,450	414	2,000	964
5,610	2,610	1,450	414	2,000	981
6,000	2,700	1,500	446	2,060	1,006
6,450	2,700	1,500	446	2,060	1,028
6,900	2,790	1,550	456	2,138	1,034
7,350	2,790	1,550	456	2,138	1,062
7,800	2,920	1,550	456	2,138	1,091
8,300	3,060	1,700	510	2,332	1,126

All information shown and mentioned on this sheet are for reference only, technical drawings will be submitted at order.

Nominal Weight(Kg)	A(mm)	B(mm)	C(mm)	D(mm)	F(mm)
8,700	3,060	1,700	510	2,332	1,156
9,300	3,060	1,700	510	2,332	1,169
9,900	3,160	1,700	510	2,332	1,188
10,500	3,190	1,770	531	2,440	1,188
11,100	3,290	1,770	531	2,440	1,212
11,700	3,390	1,770	531	2,440	1,237
12,300	3,440	1,910	573	2,632	1,279
12,900	3,440	1,910	573	2,632	1,279
13,500	3,440	1,910	573	2,632	1,316

Nominal Weight(Kg)	A(mm)	B(mm)	C(mm)	D(mm)	F(mm)
14,100	3,440	1,910	573	2,632	1,353
14,700	3,690	2,050	615	2,824	1,369
15,400	3,690	2,050	615	2,824	1,369
16,100	3,690	2,050	615	2,824	1,387
16,900	3,820	2,120	636	2,922	1,415
17,800	3,950	2,120	636	2,922	1,431
18,800	3,950	2,190	657	3,018	1,461
20,000	4,070	2,190	657	3,018	1,493
26,000	4,250	2,360	716	3,256	1,618