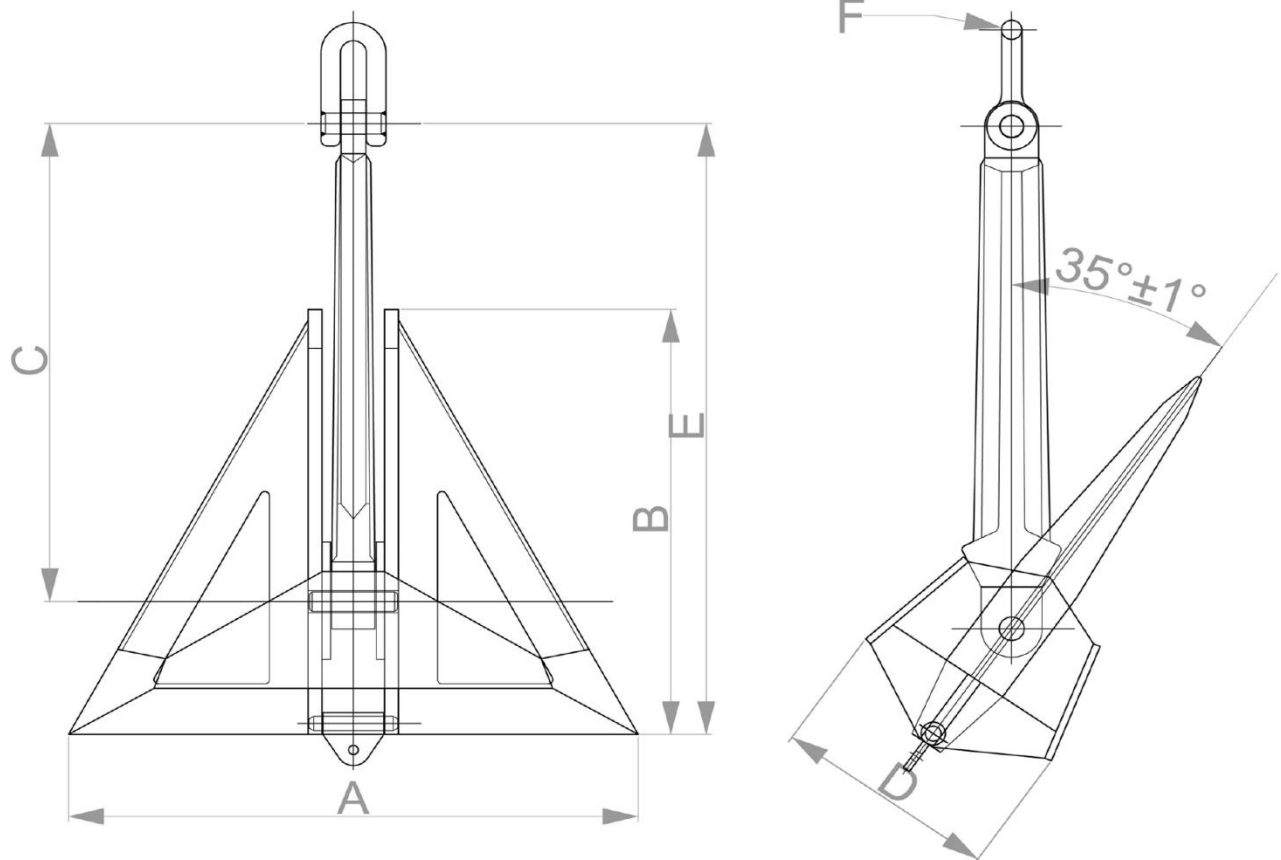


(CJD-14)Delta HHP Anchor



Nominal Weight (Kg)	A (mm)	B (mm)	C (mm)	D (mm)	E (mm)	F (mm)	Nominal Weight (Kg)	A (mm)	B (mm)	C (mm)	D (mm)	E (mm)	F (mm)
300	1200	960	1080	457	1380	45	12000	4300	3440	3942	1638	5017	145
500	1500	1200	1350	571	1725	50	13500	4670	3720	4195	1765	5535	150
1000	1875	1500	1686	714	2155	62	15000	4845	3875	4355	1830	5513	150
1080	1915	1530	1686	722	2200	62	18000	5140	4080	4610	1940	6080	160
2000	2363	1890	2124	900	2715	82	20000	5330	4260	4790	2010	6310	170
3000	2700	2160	2430	1028	3105	90	25000	5740	4590	5160	2165	6532	195
4000	2975	2380	2650	1130	3395	100	30000	6100	4880	5486	2305	7225	195
5000	3250	2600	2922	1238	3735	110	35000	6424	5138	5775	2426	7605	205
7000	3575	2860	3216	1361	4116	117	40000	6715	5370	6036	2536	7948	210
7500	3650	2925	3290	1390	4210	117	45000	6986	5588	6184	2640	8270	220
8000	3730	2990	3360	1420	4300	130	50000	7230	5785	6500	2730	8560	225
9000	3950	3160	3555	1504	4543	135	55000	7470	5975	6715	2820	8840	230
10000	4100	3280	3690	1561	4715	140	60000	7690	6150	6910	2940	9100	240

All information shown and mentioned on this sheet are for reference only, technical drawings will be submitted at order.

Nominal Weight (Kg)	A (mm)	B (mm)	C (mm)	D (mm)	E (mm)	F (mm)	Nominal Weight (Kg)	A (mm)	B (mm)	C (mm)	D (mm)	E (mm)	F (mm)
65000	7900	6315	7100	2980	9350	245	85000	8625	6900	7750	3255	10210	265
70000	8095	6475	7275	3060	9580	250	90000	8800	7040	7910	3325	10420	270
75000	8235	6590	7405	3110	9750	255	95000	8960	7170	8055	3385	10610	280
80000	8460	6770	7610	3195	10020	260	100000	9110	7285	8190	3440	10780	280