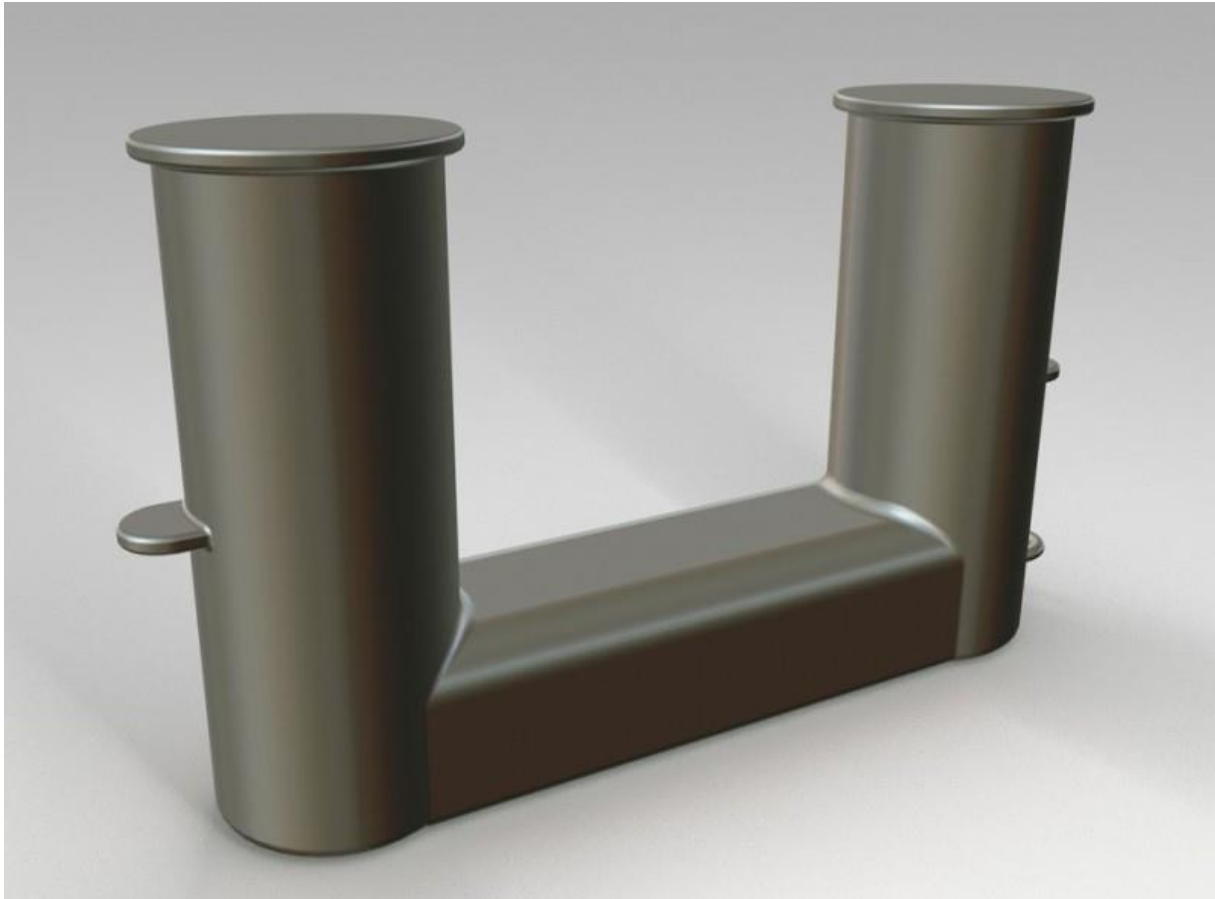
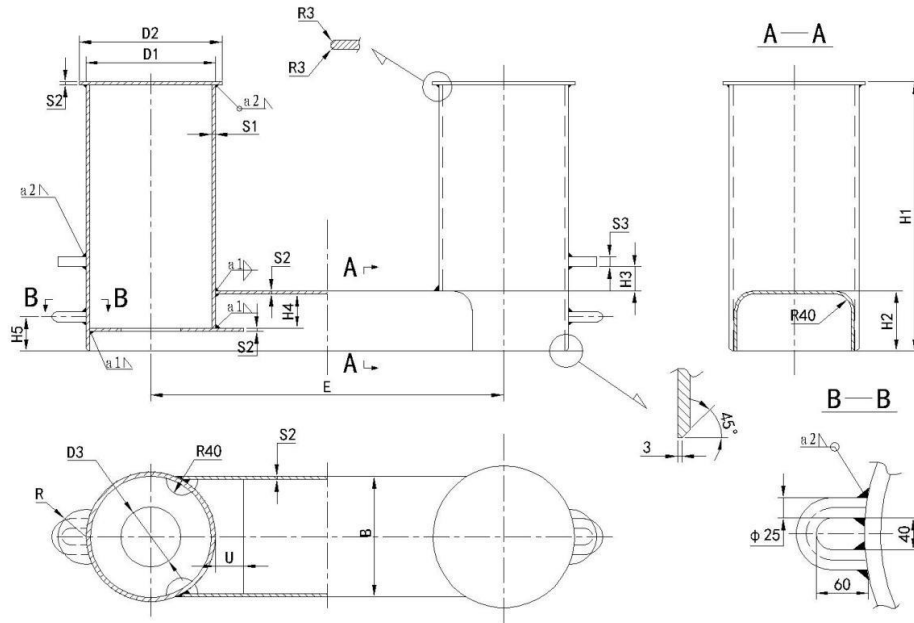


DIN 82607 Bollard





Type	Safe working Load (KN)	D1XS1	B	D2	D3	E ±10	H1	H2	H3	H4	H5	R	S2	S3	U	a1	a2	Reference Calculated mass(Kg) ≈
1	10	139.7x6.3	130	160	-	430	370	105	25	-	55	40	5	18	-	3.5	4	21
2	20	219.1x8	180	240	-	570	475	115	35	-	60	50	6		-	3.5		53
3	30	273x10	250	300	-	700	570	135	45	-	75	60	8	-	4	100		
5	50	323.9x10	300	355	150	880	670	150	60	85	85	70	8	25	70	4		148
8	80	355.6x14.2	330	390	170	1050	780	175	75	105	105	80	10		80	5		260
12	120	457x16	420	490	210	1200	860	195	90	130	120	90	16	35	90	6		469
20	200	508x17.5	470	545	235	1350	970	230	115	155	150	100	16		100	7		651
32	320	559x20	530	600	255	1400	1000	270	145	155	180	110	16	40	110	7		786
45	450	660x25	620	700	310	1500	1200	320	175	205	210	120	16		120	8	10	1290
57	570	711x28	660	750	400	1600	1250	350	180	230	230	130	18	40	130	8	10	1610