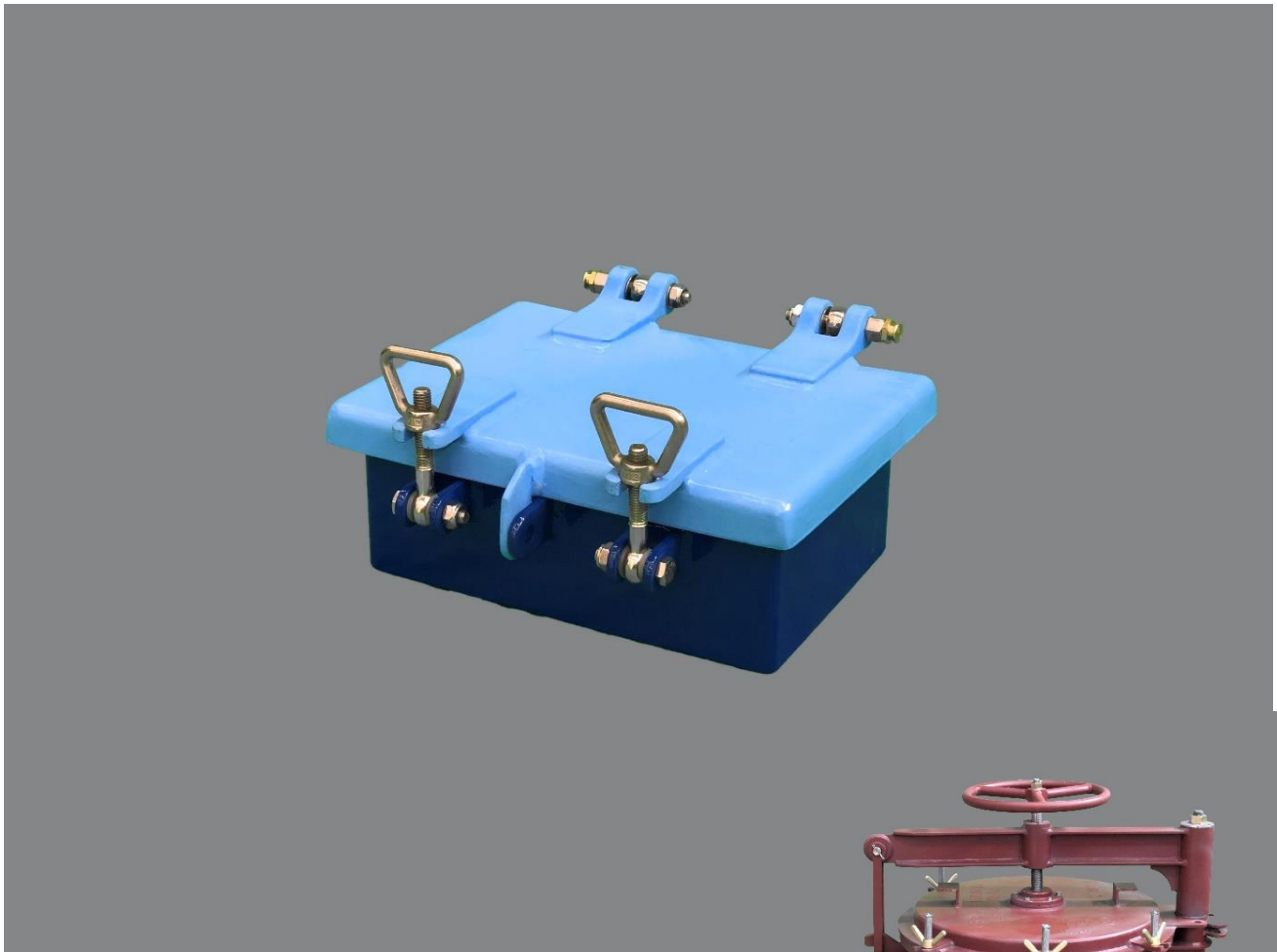


## Hatch



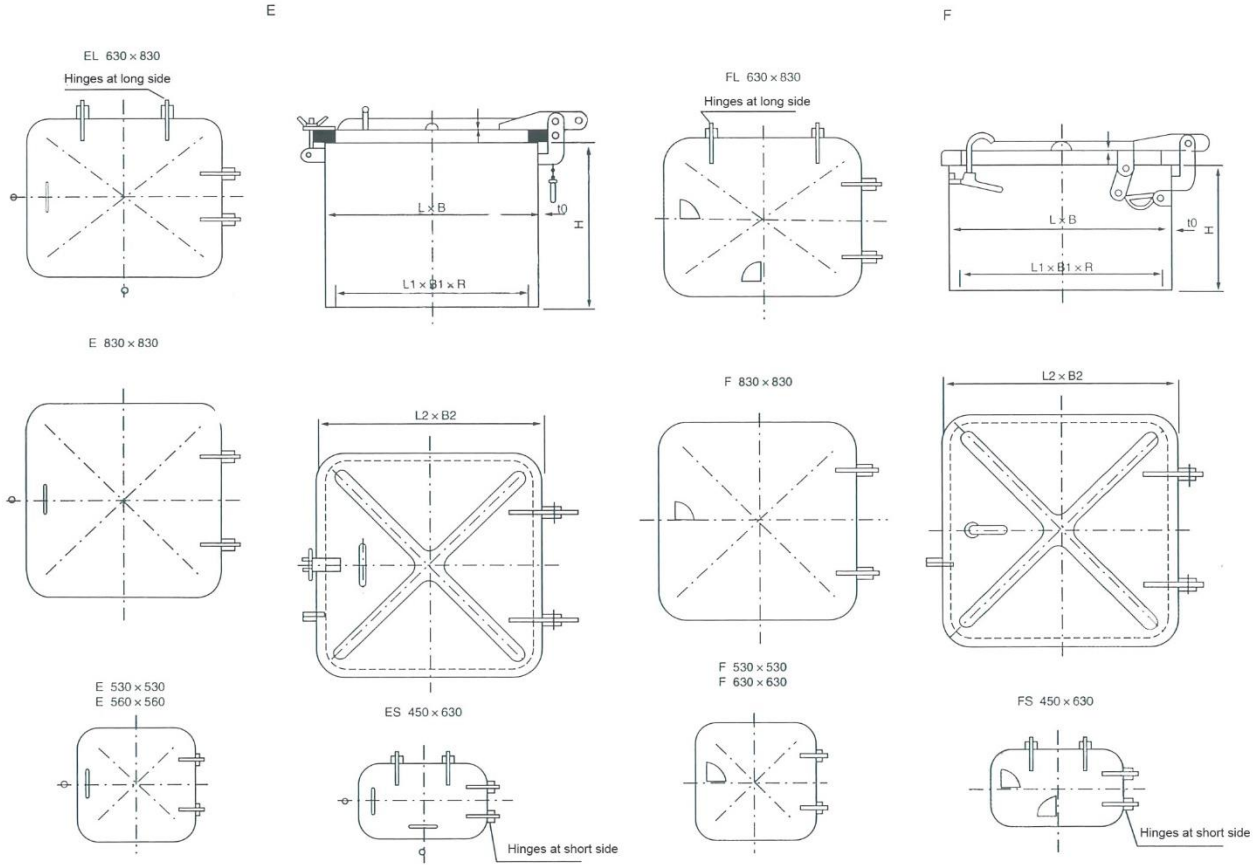
(Tank hatch)



A hatch is used to enter spaces on board of a vessel.

Hatches are watertight and got a rubber seal. A hatch is closable by stainless steel toggles.

Hatches are available in different sizes and shapes



TYPE	Nominal Size L x B	Hole Size L1 x B x R	Cover Plate Size L2 x B2	Cover Height t	Coaming		Airfoil nut clip size	Weight Kg	
					Thickness t0	Height H		Type E	Type F
E	450 x 630	420 x 600 x 100	508 x 688	4	4, 6	100	M16	20.9	22.2
			512 x 692	6	6, 8			27.6	29
EL	450 x 630	500 x 500 x 100	588 x 588	4	4, 6	150	M20	21	22
ES	450 x 630	600 x 600 x 100	592 x 592	6	6, 8			27.3	28.5
F	450 x 630	600 x 600 x 100	688 x 688	4	4, 6	150	M20	26.3	27
			692 x 692	6	6, 8			35	35.9
FL	450 x 630	600 x 800 x 100	688 x 888	4	4, 6	200	M20	33	33
			692 x 892	6	6, 8			44	44.2
FS	450 x 630	800 x 800 x 100	888 x 888	4	4, 6	200	M20	39.2	40.5
			892 x 892	6	6, 8			53.3	54.5