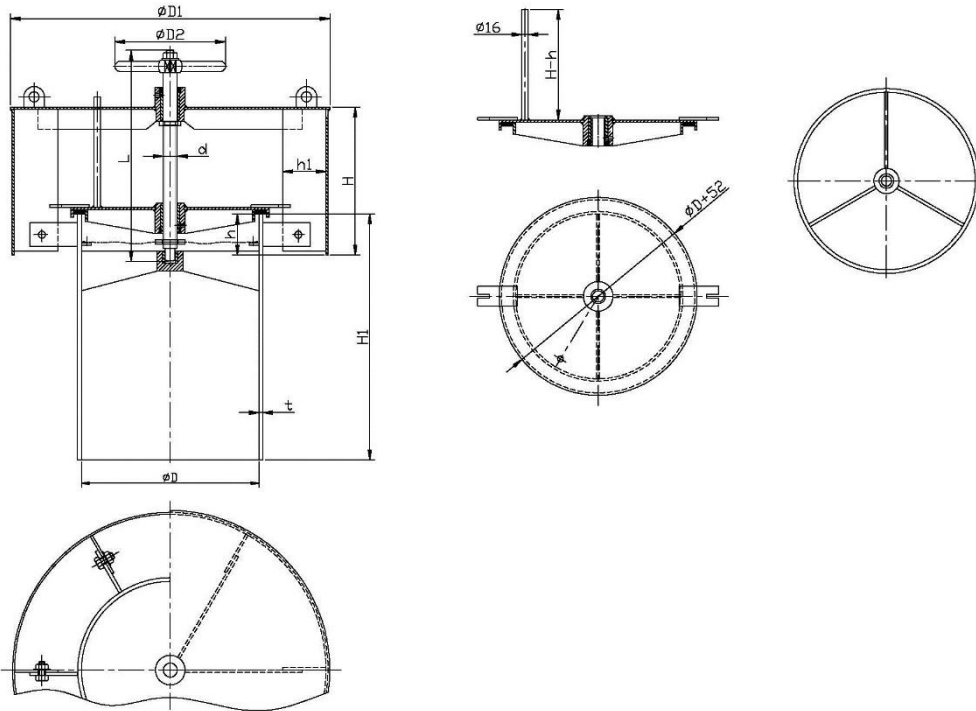


Mushroom Ventilator





Nominal Dia.	D	D1	H	h	h1	D2	L	d	Calculated mass (Kg)
350	350	610	310	90	70	200	472	TM30	60.6
400	400	700	345	105	90	280	504	TM36	78.8
450	450	790	375		110		534		96.8
500	500	880	405		130		579		117.5
550	550	970	435	120	150	315	609	TM40	136.6
600	600	1050	470		165		649		158.5
650	650	1140	500		185		679		182.1
700	700	1230	520		205		699		204.0
750	750	1310	540		220		719		225.1
800	800	1400	560	140	240	355	739	TM45	252.7
850	850	1490	580		260		759		279.6
900	900	1570	600		275		793		308.4
950	950	1660	620		295		813		336.8
1000	1000	1750	640		315		833		369.9
1100	1100	1920	680		350		873		464.9
1200	1200	2090	720		385		913		534.6
1300	1300	2260	760		420		953		609.2
1400	1400	2430	800		455		995		624.2
1500	1500	2600	840		490		1035		703.4