

Product sheet DIN 81906 Warping Roller



Warping rollers are used on board of all kind of vessels, we deliver the DIN 81906 type, which is executed with greasing lines and grooves and have flat type grease nipples.

Deliverance options

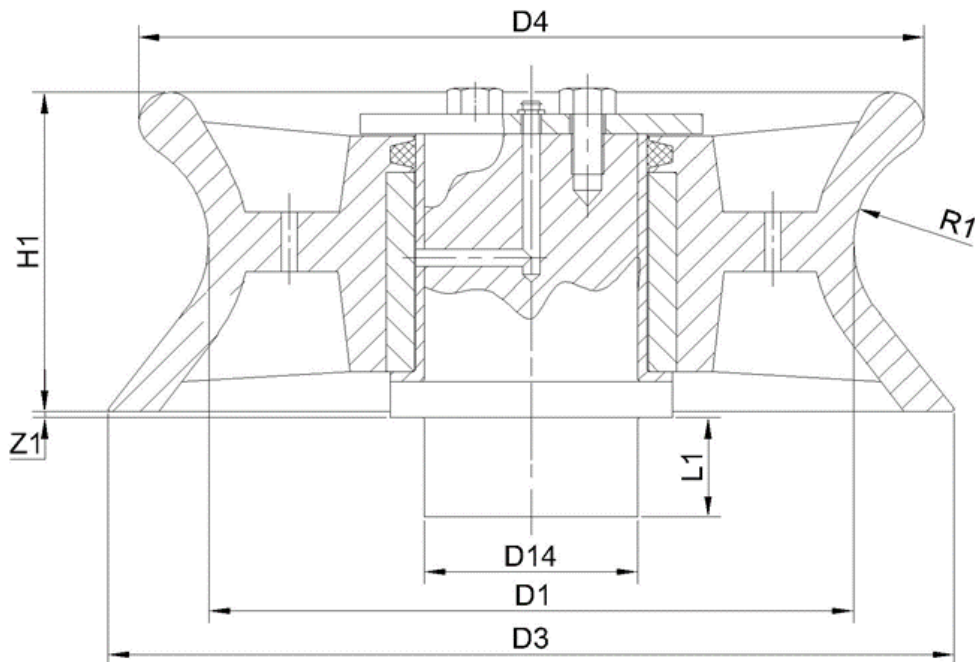
- Loose roller
- Roller on a straight pedestal (a shown on the picture above)
- Roller on a tapered pedestal

Deliverance includes

- Welding primer

Deliverance excludes

- Grease, so you can fill it with your lubricant of choice



Type	Safe Working Load (KN)	D1	D3	D4	D14	H1	L1	R1	Z1	Weight (Kg) ≈
1	10	160	210	195	60	80	50	25	1,5	12
2	20	200	265	245	70	102		32		18
3	32	250	330	300	85	126		42		33
5	50	320	420	390	106	160	50	55	2,5	68
8	80	400	530	490	125	208	65	73		136
12	125	450	610	560	160	256	85	95		225
20	200	500	640	620	190	278	100	111	4,5	336
32	320	560	780	740	230	348	150	125		580